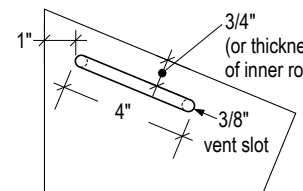
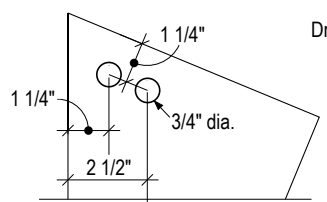
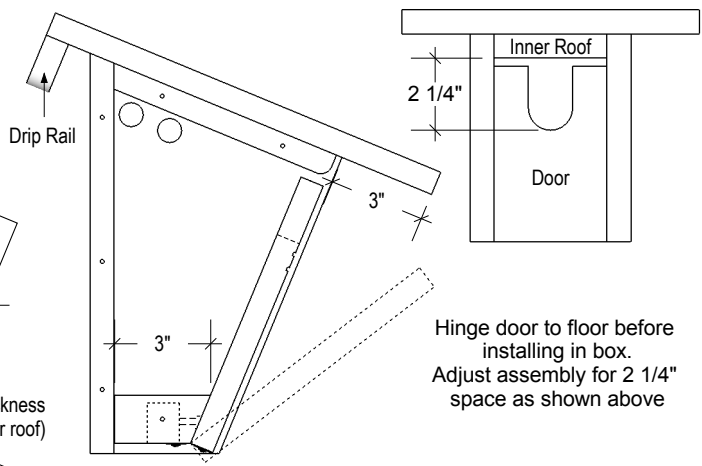


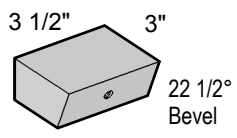
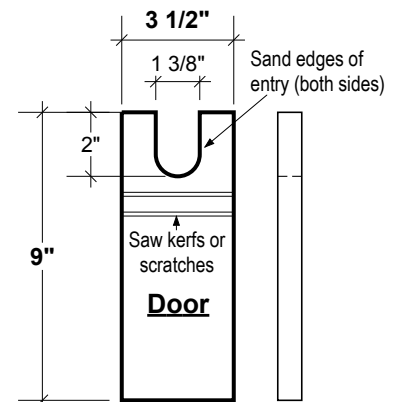
**Venting Options**



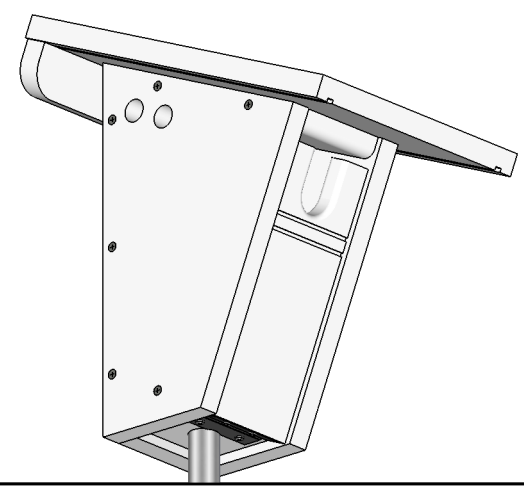
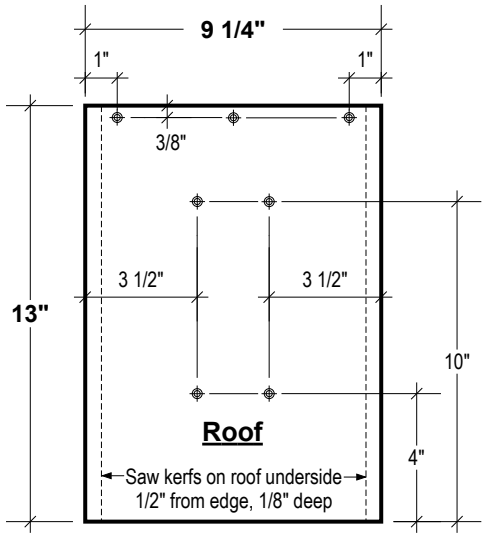
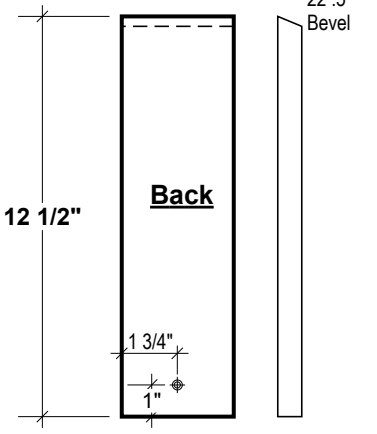
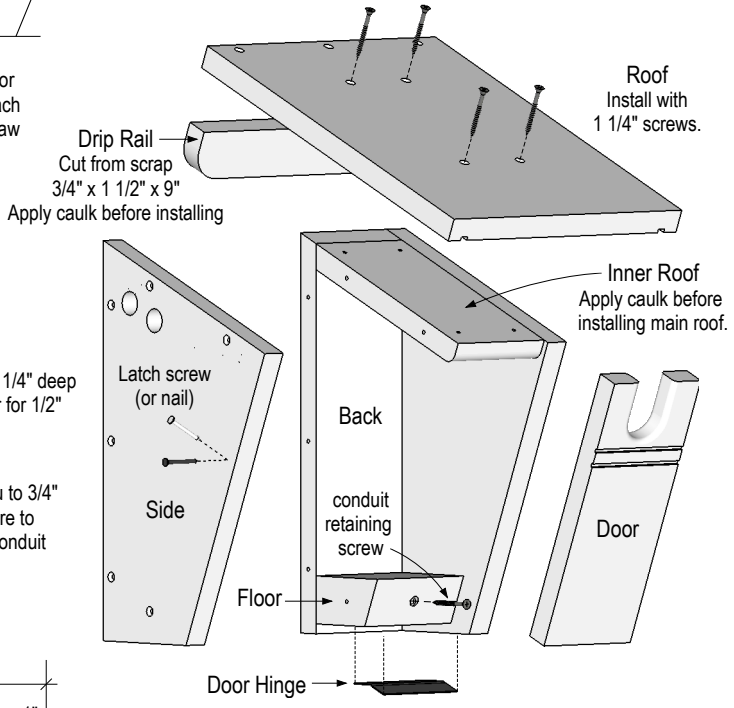
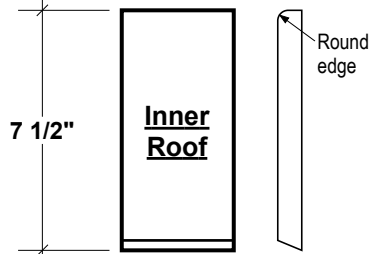
Cut vent slot with a router or drill (2) 3/8" dia. holes at each end and cut out slot with saw



Hinge door to floor before installing in box.  
Adjust assembly for 2 1/4" space as shown above



Drill 3/4" dia. x 1 1/4" deep in bottom of floor for 1/2" conduit  
Drill 1/8" dia. thru to 3/4" hole. Counterbore to recess head of conduit retaining screw  
Cut floor from 2 x 4 (1 1/2" x 3 1/2")



Quan	Material	Quan	Material
30"	1 x 4 (3/4" x 3 1/2")	3"	Polypropylene hinge (U.S. Plastics) (Galvanized metal hinge may be substituted for poly hinge)
39"	1 x 10 (3/4" x 9 1/4")		
4"	2 x 4 (1 1/2" x 3 1/2")		
16	#8 x 1 5/8" exterior wood screws	4	#10 x 1" lathe or truss head screws (for poly hinge)
4	#8 x 1 1/4" exterior wood screws		

**Little Pete**  
Bluebird Nestbox  
Designed by: Fred Stille, Sr.  
Based on original Peterson design by Dick Peterson  
Drawn by: Fred Stille, Sr. | Version 1, May 12, 2012 | Page 1 of 1