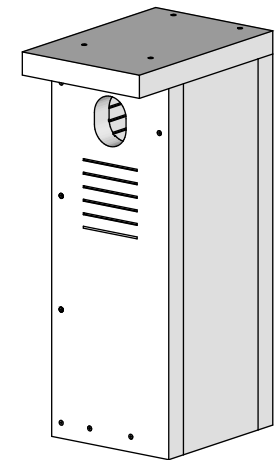
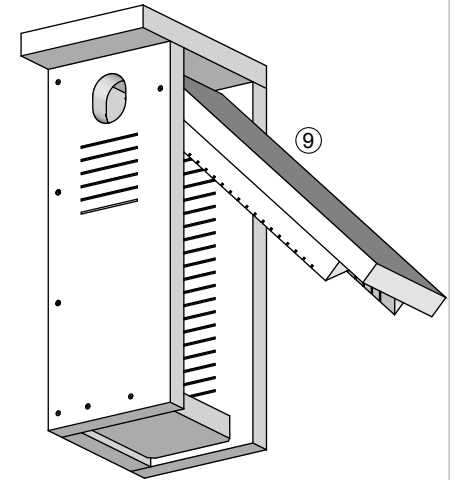
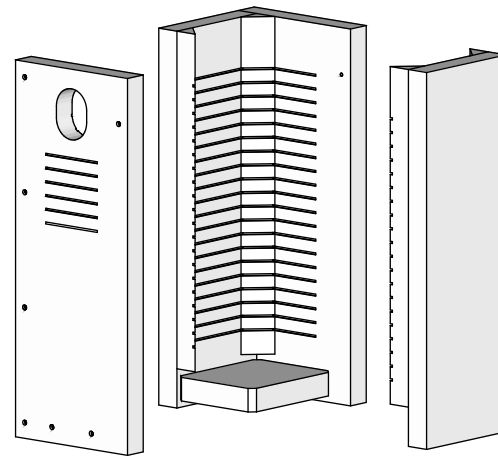
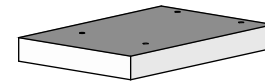


Materials

(1) 2 x 10 x 10' (1 1/2" x 9 1/4" x 120")
 (18) #8 x 3" deck screws
 (20) #6d or 7d finish nails (2" - 2 1/4")

- ① Front: 2 x 10 x 24"
- ② Back: 2 x 10 x 24"
- ③ Sides (2): 1 1/2" x 7 5/8" x 24". One side pivots open for cleaning
- ④ Roof - 1 1/2" x 10" x 13 5/8" (3" overhang)

- ⑤ Floor: 1 1/2" x 6 1/4" x 7 5/8"
- ⑥ Entry: 2 1/2" wide x 3 1/4" high. One inch below roof
- ⑦ Kerfs (foot holds) - 1/2" to 3/4" between cuts, 1/4" deep. 3" from roof and floor, and cut all around inside of box



To inspect box while occupied, remove three top roof screws and swing top around fourth screw to open.

Round edges of entrance hole using rasp so that it's rough for toe holds.

- ⑧ Corners (4): Flush with top of sides down. Nail into corners with finishing nails.
- ⑨ Hinge one side of box for cleaning and spring inspection. Loose nail lock near bottom.
- ⑩ Hinge screws 3" from roof.

The Bower Flicker Nestbox
 Redrawn April 1, 2015