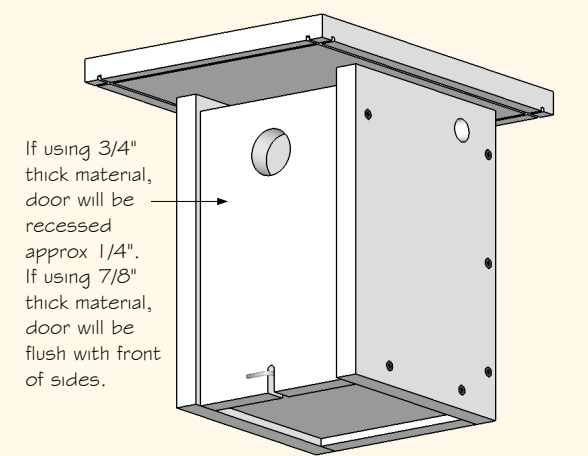
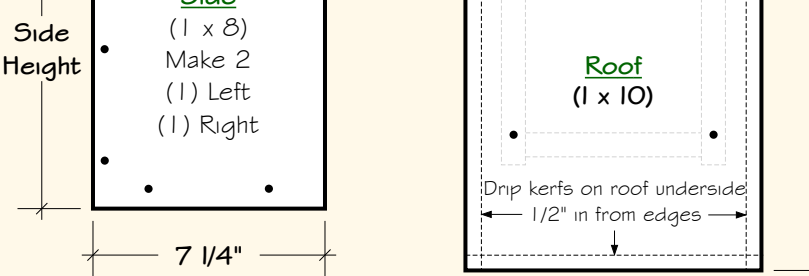
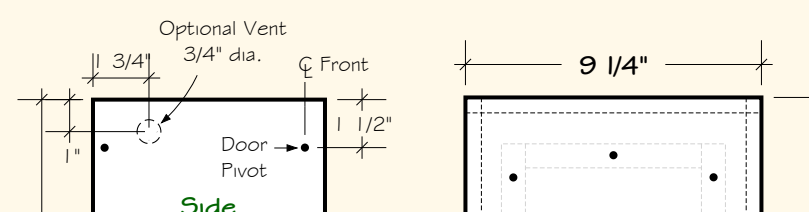
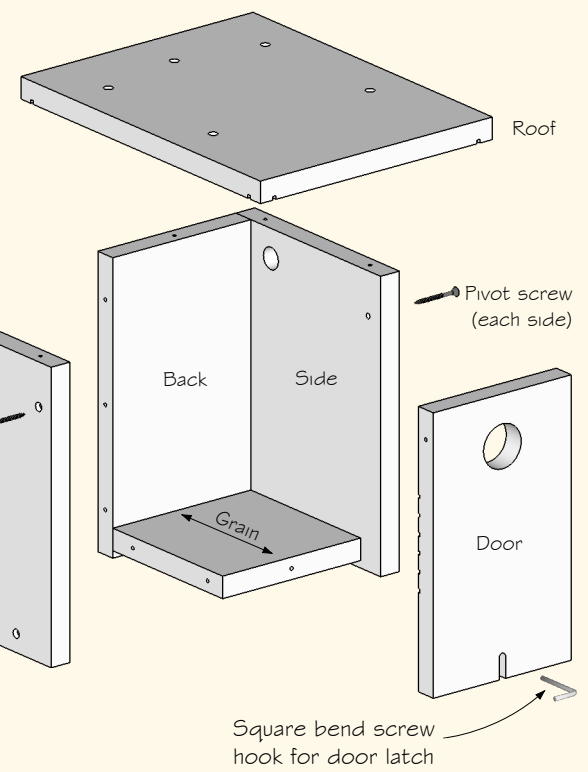
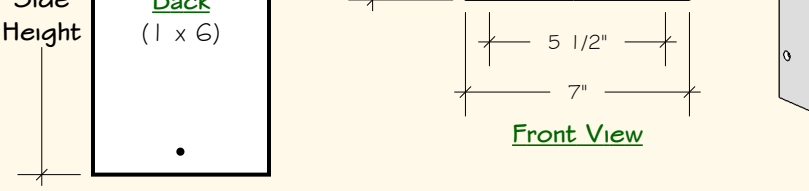
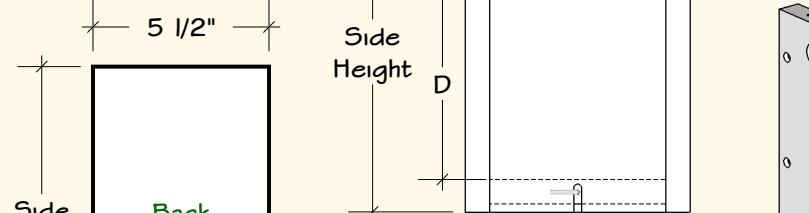
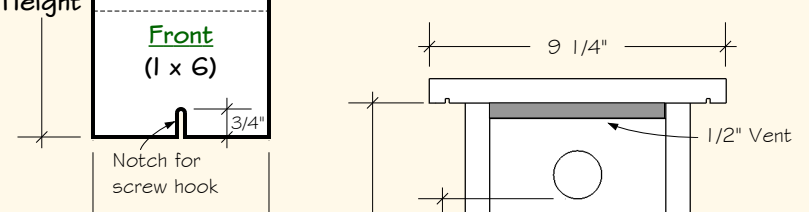
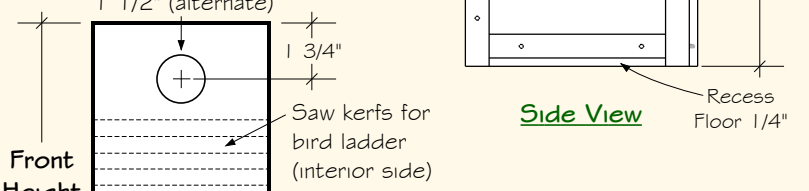


D	Front Height	Side/Back Height
5"	8 1/2"	9"
5 1/2"	9"	9 1/2"
6"	9 1/2"	10"
6 1/2"	10"	10 1/2"
7"	10 1/2"	11"
7 1/2"	11"	11 1/2"
8"	11 1/2"	12"
8 1/2"	12"	12 1/2"

Select desired entry to floor drop (D) to determine Front, Side and Back height.



Quan	Material	Use
24" - 31"	1 x 6 (3/4" x 5 1/2" - length required depends on side height)	Front, Back and Floor
19" - 25"	1 x 8 (3/4" x 7 1/4" - length required depends on side height)	Sides
12"	1 x 10 (3/4" x 9 1/4")	Roof
18	#8 x 1 5/8" exterior wood (deck) screws	General assembly, pivots
1	Square bend screw hook (zinc plated)	Door latch

F30 NESTBOX

Front opening, 30 sq. in. floor, top pivot

Drawn by: Fred Stille, Sr. Version 1.0, Dec 8, 2012 Page 1 of 1

plan by NestBoxBuilder.com Copyright © 2013 All rights reserved