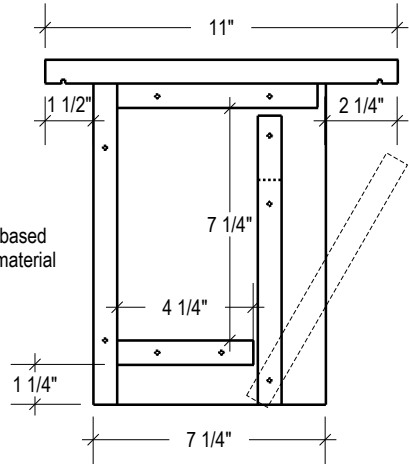
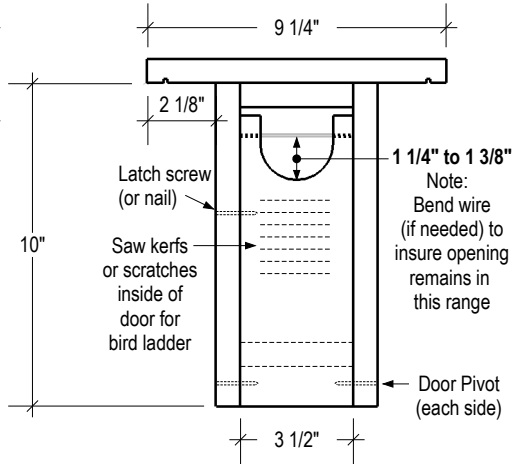


Saw kerfs on roof underside  
1/2" in from edge x 1/8" deep

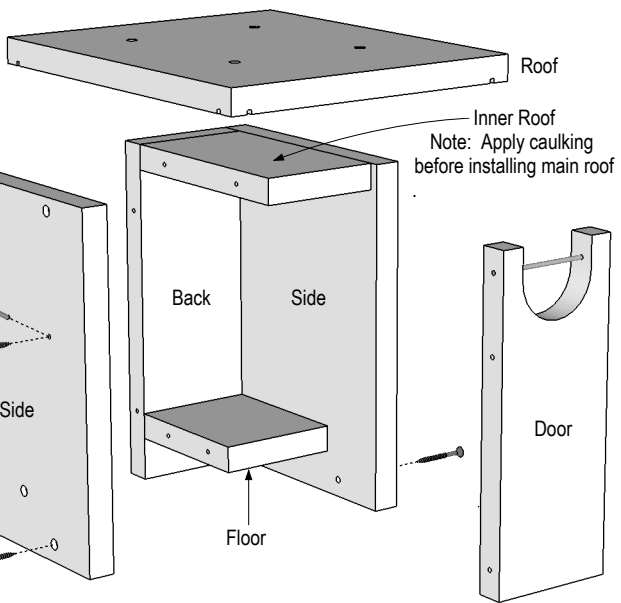
Note:  
Dimensions based  
on 3/4" thick material



**Side View**



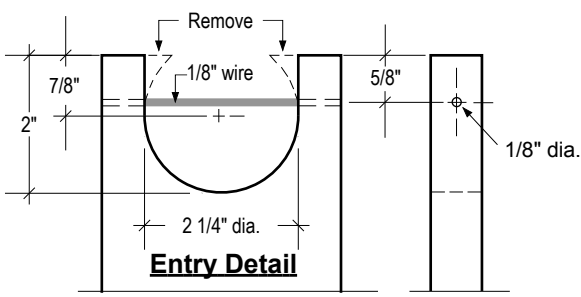
**Front View**



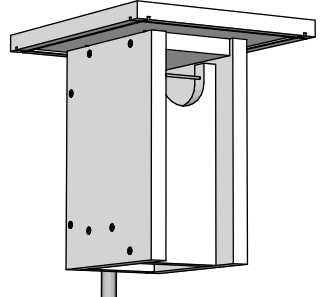
Note: Apply caulking  
before installing main roof

Latch screw  
(or nail)  
Note: if using  
nail, drill hole  
down at angle  
as shown

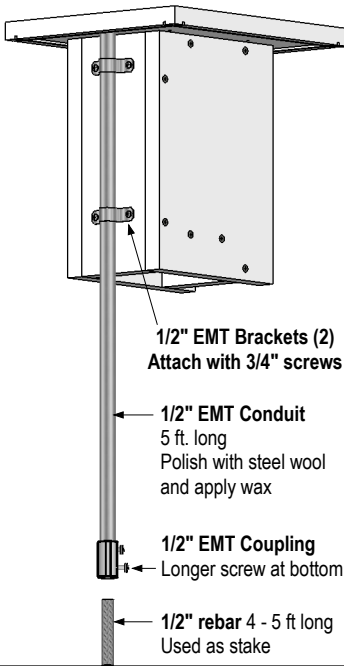
Pivot screw  
(each side)



**Entry Detail**



**Recommended mounting:  
Gilbertson Conduit/Rebar  
Mounting System**



1/2" EMT Brackets (2)  
Attach with 3/4" screws

1/2" EMT Conduit  
5 ft. long  
Polish with steel wool  
and apply wax

1/2" EMT Coupling  
Longer screw at bottom

1/2" rebar 4 - 5 ft long  
Used as stake

Quan	Material
31"	1 x 4 (3/4" x 3 1/2")
21"	1 x 8 (3/4" x 7 1/4")
11"	1 x 10 (3/4" x 9 1/4")
18	#8 x 1 5/8" exterior wood screws
1	#8 x 1 5/8" Latch screw (or nail)
3 1/2"	1/8" dia. wire (or nail) for entry
1	Conduit/Rebar Mounting System

**Gilwood II**  
Bluebird Nestbox  
Based on original Gilwood design by  
Steve Gilbertson - Aitkin, Mn