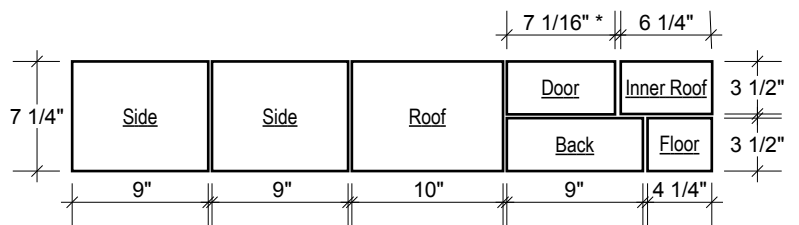
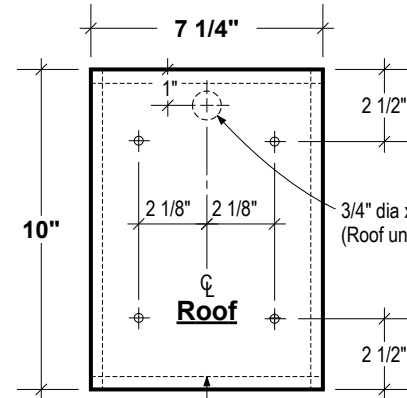


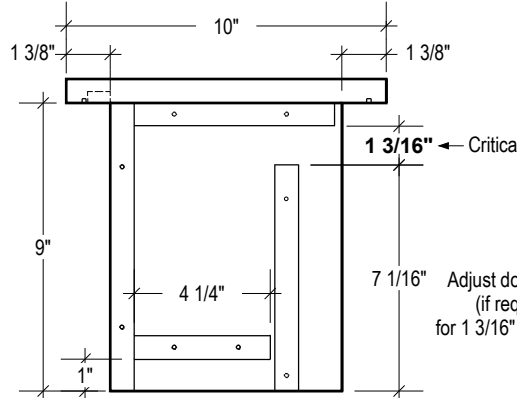
Note  
3 1/2" parts may be cut from 1 x 4



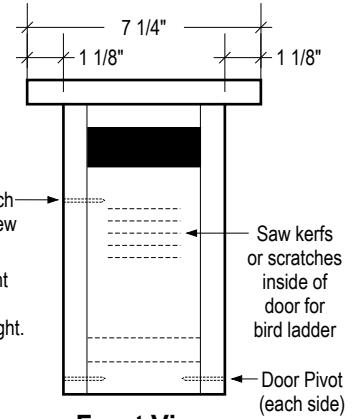
Cutting Diagram: 1 x 8 x 42" long



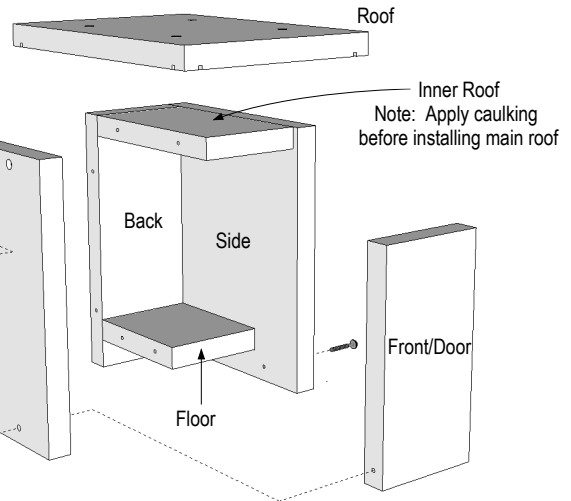
Saw kerfs on roof underside  
3/8" in from edge x 1/8" deep



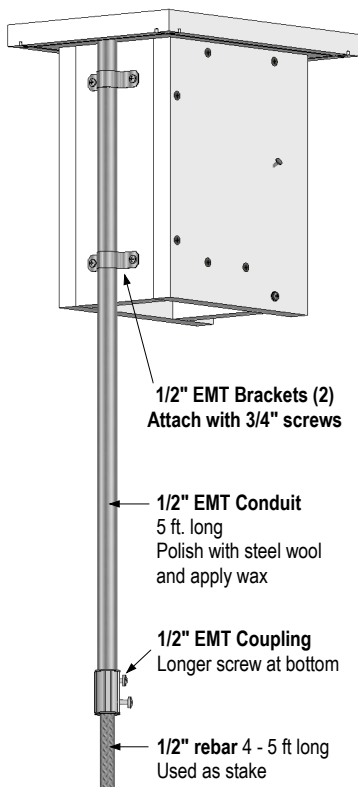
Side View



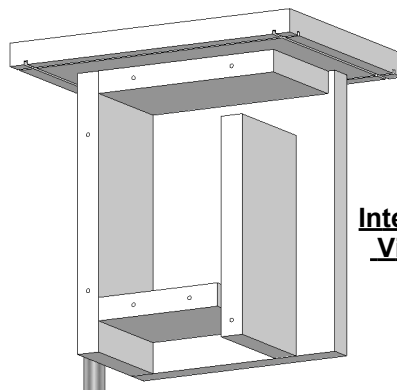
Front View



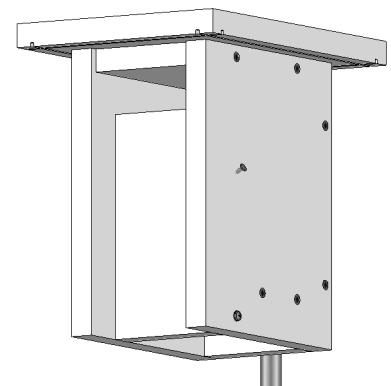
**Gilbertson Conduit/Rebar Mounting System**



Latch screw (or nail)  
Note: if using nail, drill hole down at angle as shown  
Pivot screw (each side)



Interior View



Quan	Material
42"	1 x 8 (3/4" x 7 1/4")
16	#8 x 1 5/8" exterior wood screws
1	#8 x 1 5/8" Latch screw (or nail)
1	Conduit/Rebar Mounting System

**Gilwood Slot  
Bluebird Nestbox**

Original Gilwood design by Steve Gilbertson - Aitkin, Mn