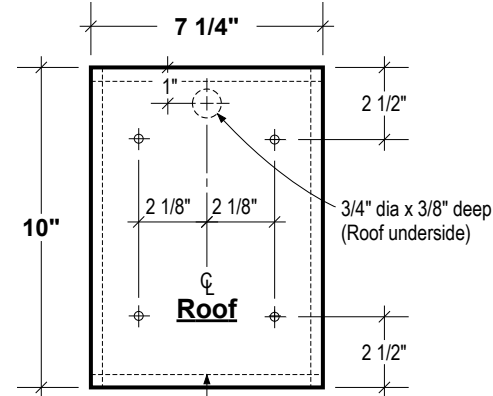
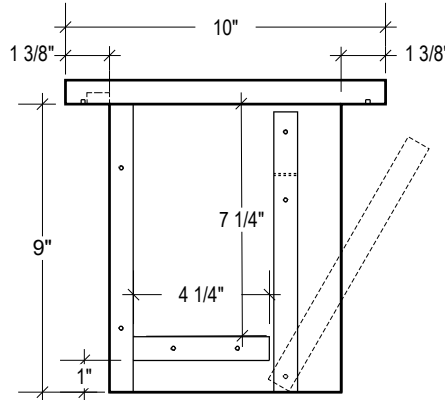
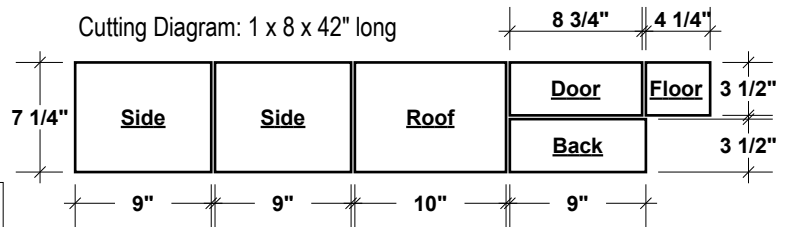


Note  
For no table saw  
fabrication, cut 3 1/2"  
parts from 1 x 4

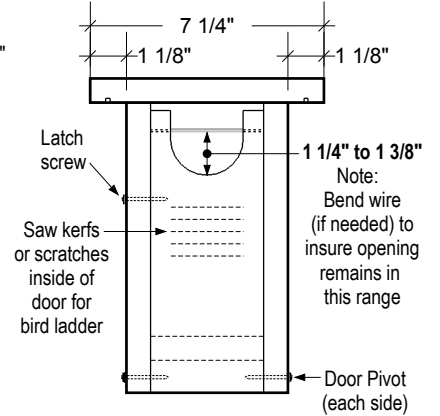


Saw kerfs on roof underside  
1/2" in from edge x 1/8" deep

Cutting Diagram: 1 x 8 x 42" long

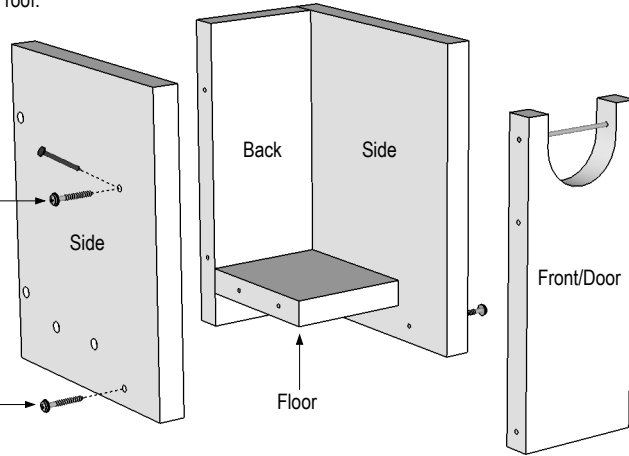
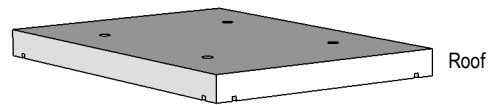


Side View

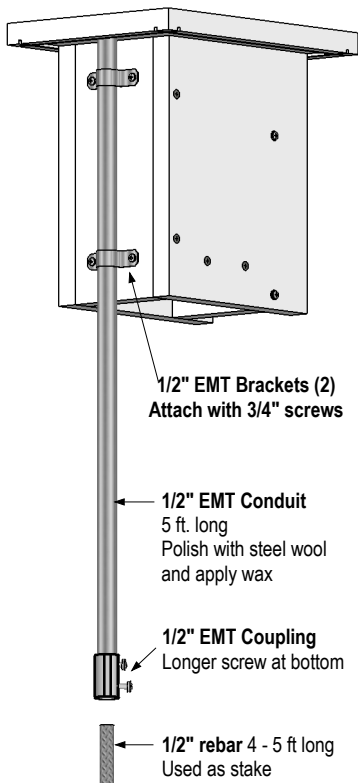


Front View

Apply caulk to top of  
sides and to  
top of back before  
attaching roof.



**Gilbertson Conduit/Rebar  
Mounting System**



1/2" EMT Brackets (2)  
Attach with 3/4" screws

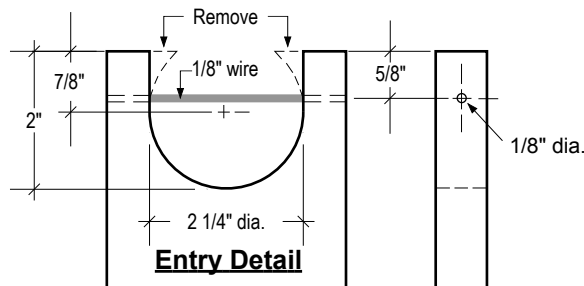
1/2" EMT Conduit  
5 ft. long  
Polish with steel wool  
and apply wax

1/2" EMT Coupling  
Longer screw at bottom

1/2" rebar 4 - 5 ft long  
Used as stake

Latch screw  
(or nail)  
Note: if using  
nail, drill hole  
down at angle  
as shown

Pivot screw  
(each side)



Entry Detail

Quan	Material
42"	1 x 8 (3/4" x 7 1/4")
14	#8 x 1 5/8" exterior wood screws
1	#8 x 1 5/8" Latch screw (or nail)
3 1/2"	1/8" dia. wire (or nail) for entry
1	Conduit/Rebar Mounting System

**Gilwood**

Bluebird Nestbox

designed by Steve Gilbertson - Aitkin, Mn