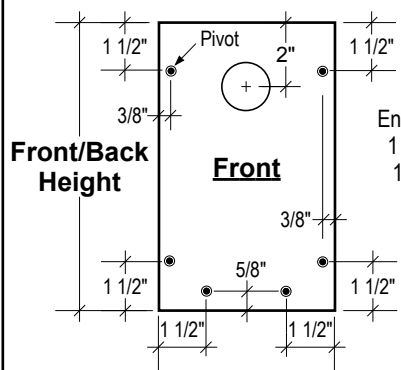
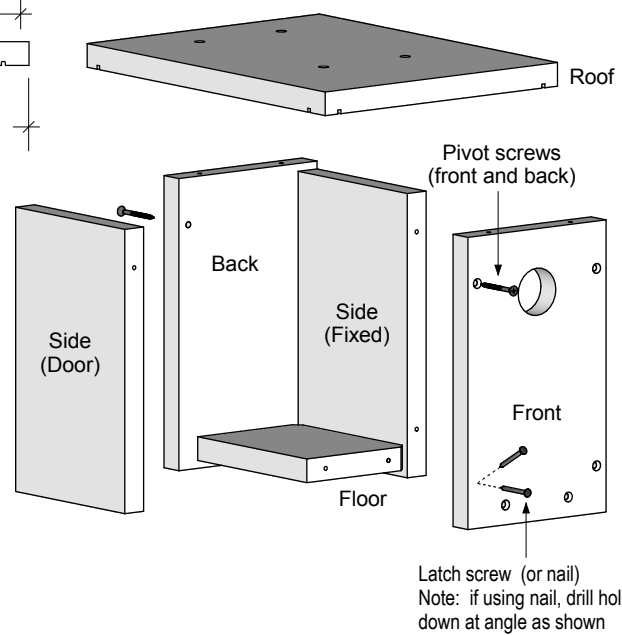
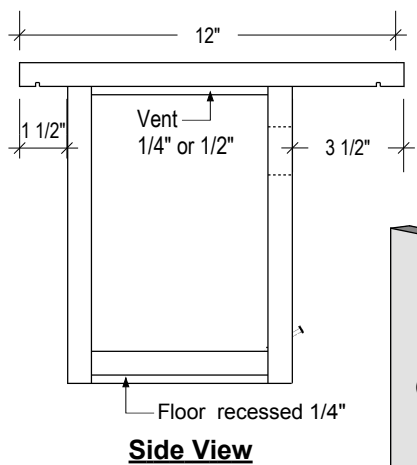
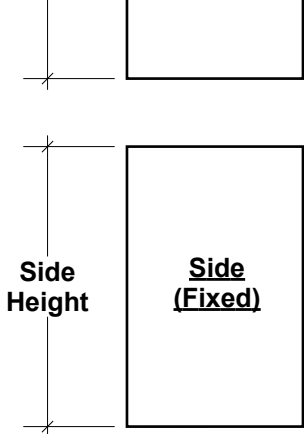
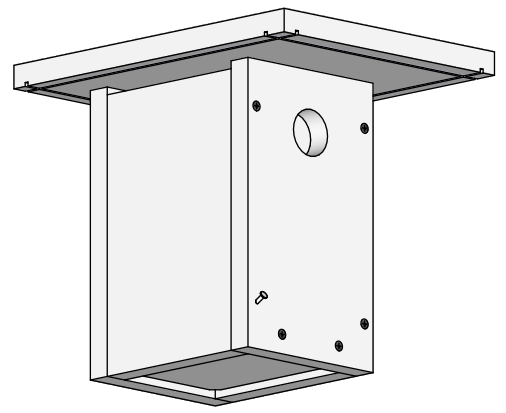
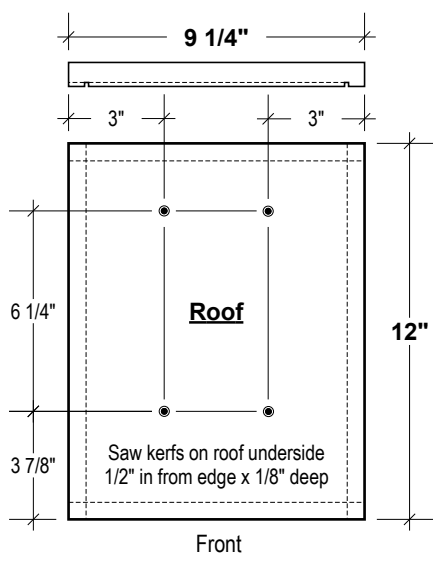
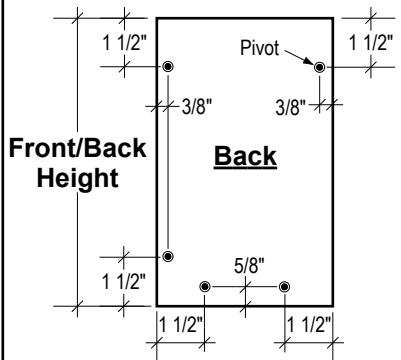


D	Front/Back Height	Side Height	
		1/4" Vent	1/2" Vent
5"	8 3/4"	8 1/2"	8 1/4"
5 1/2"	9 1/4"	9"	8 3/4"
6"	9 3/4"	9 1/2"	9 1/4"
6 1/2"	10 1/4"	10"	9 3/4"
7"	10 3/4"	10 1/2"	10 1/4"

Select desired entry to floor drop (D) to determine Front/Back Height. Select either 1/4" or 1/2" vent opening to determine Side Height.



Entry hole diameter:  
1 9/16" (optimum)  
1 1/2" (alternate)



Quan	Material
48"	1 x 6 (3/4" x 5 1/2")
12"	1 x 10 (3/4" x 9 1/4")
15	#8 x 1 5/8" exterior wood screws

**S22 Nestbox**  
Side opening, 22 sq. in. floor, top pivot  
Designed by: Fred Stille

Drawn by: Fred Stille, Sr.    Version 2, Nov 12, 2012    Page 1 of 1